

CUSTOMER	
JOB	
ADDRESS	
CONTACT	PHONE
COLOR	
STAINLESS #2 <input type="checkbox"/>	STAINLESS #4 <input type="checkbox"/>
GALVANIZED <input type="checkbox"/>	PRE-PRIMED <input type="checkbox"/>
COPPER 16 OZ. <input type="checkbox"/>	COPPER 20 OZ. <input type="checkbox"/>
GAUGE 22 <input type="checkbox"/>	24 <input type="checkbox"/> 26 <input type="checkbox"/>
QUANTITY	

FAST FLASHINGS
www.fastflashings.com

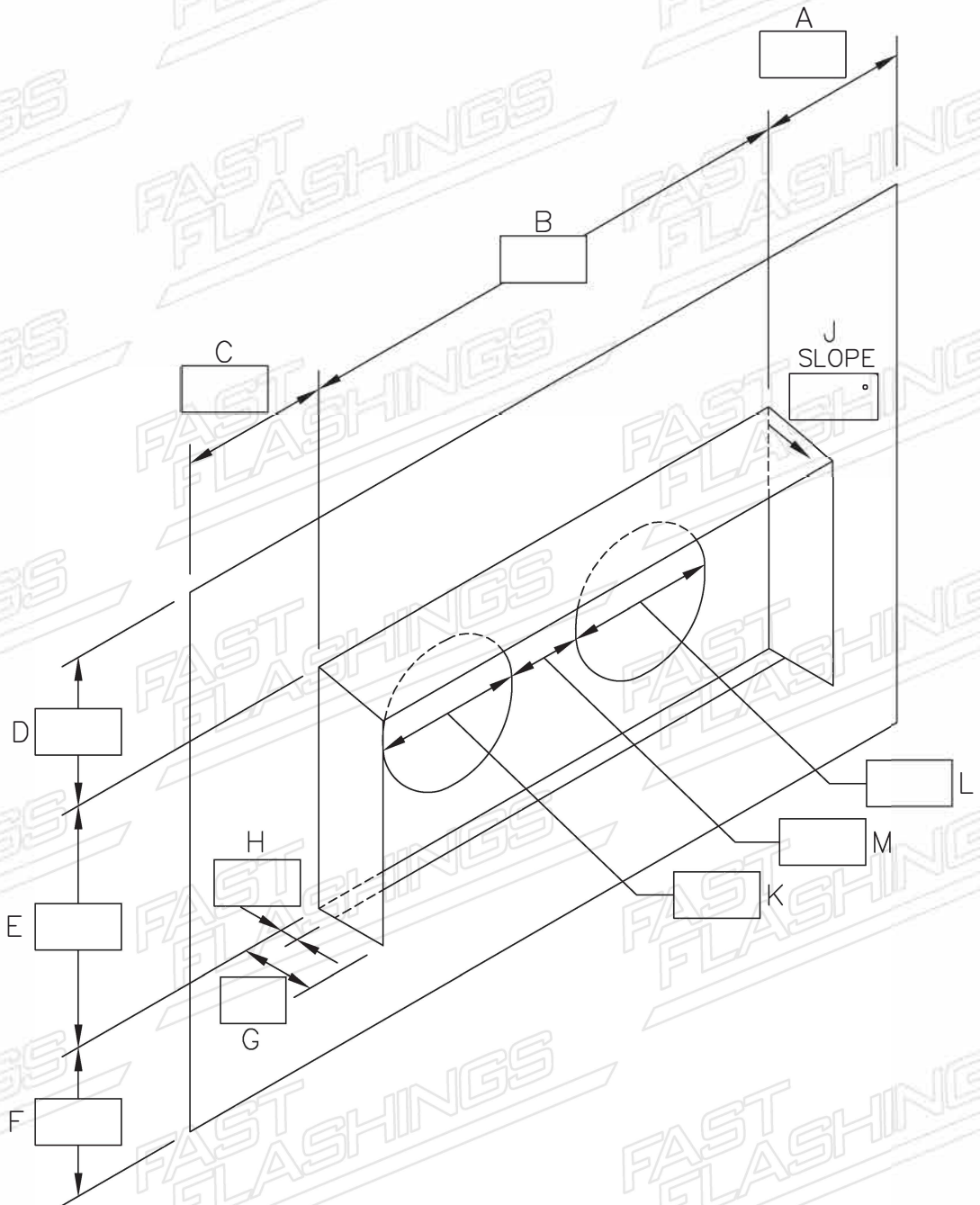
Kirkland 425-827-8367 Seattle 206-364-3612

TYPE

DRAWN BY DATE SCALE FACTOR

DRAWING #

VT-004

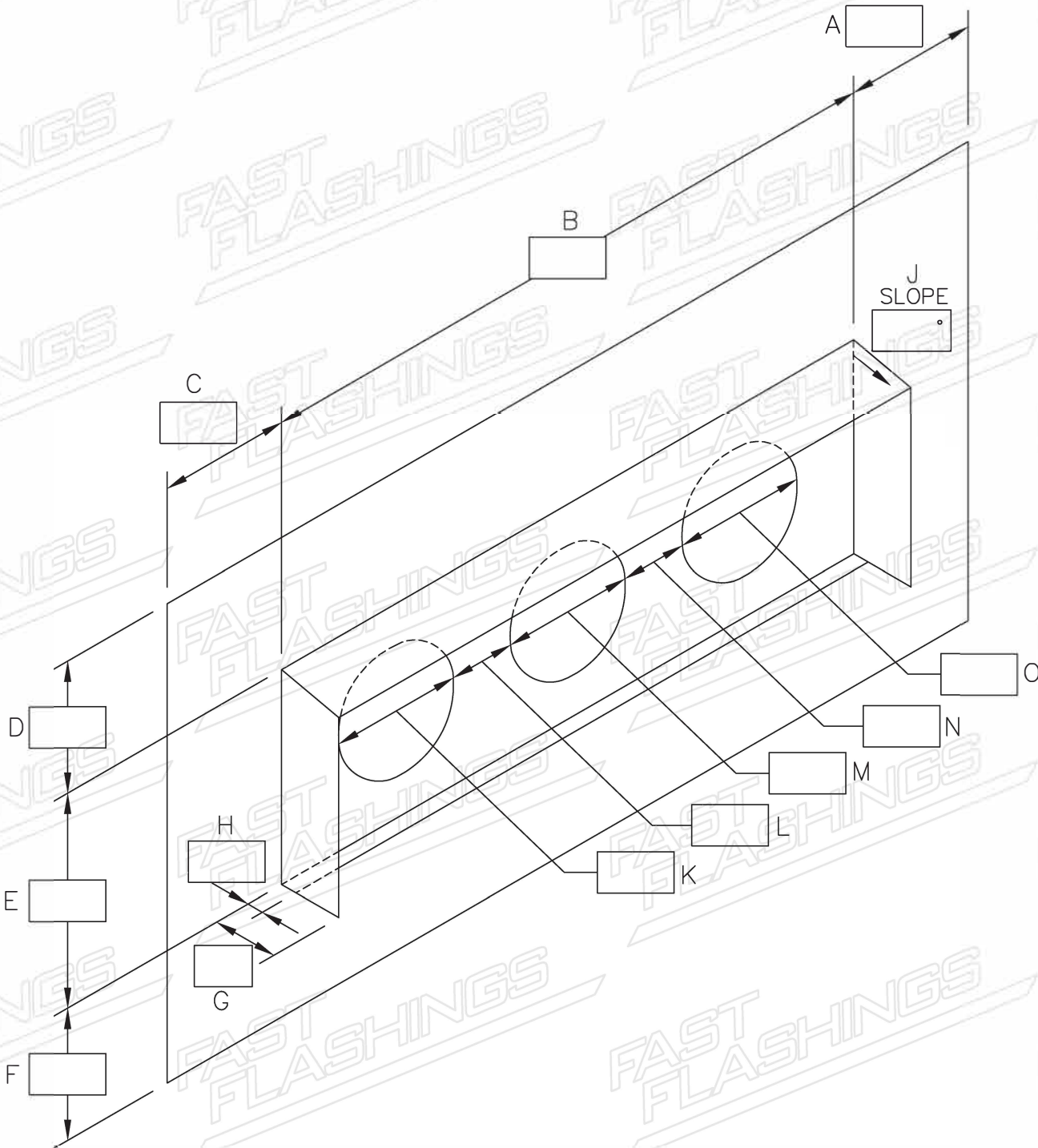


CUSTOMER	
JOB	
ADDRESS	
CONTACT	PHONE
COLOR	
STAINLESS #2 <input type="checkbox"/>	STAINLESS #4 <input type="checkbox"/>
GALVANIZED <input type="checkbox"/>	PRE-PRIMED <input type="checkbox"/>
COPPER 16 OZ. <input type="checkbox"/>	COPPER 20 OZ. <input type="checkbox"/>
GAUGE 22 <input type="checkbox"/>	24 <input type="checkbox"/> 26 <input type="checkbox"/>
QUANTITY	

FAST FLASHINGS
www.fastflashings.com

Kirkland 425-827-8367 Seattle 206-364-3612

TYPE		
DRAWN BY	DATE	SCALE FACTOR
DRAWING #		
VT-004-2h		



CUSTOMER	
JOB	
ADDRESS	
CONTACT	PHONE
COLOR	
STAINLESS #2 <input type="checkbox"/>	STAINLESS #4 <input type="checkbox"/>
GALVANIZED <input type="checkbox"/>	PRE-PRIMED <input type="checkbox"/>
COPPER 16 OZ. <input type="checkbox"/>	COPPER 20 OZ. <input type="checkbox"/>
GAUGE 22 <input type="checkbox"/>	24 <input type="checkbox"/> 26 <input type="checkbox"/>
QUANTITY	

FAST FLASHINGS
www.fastflashings.com

Kirkland 425-827-8367 Seattle 206-364-3612

TYPE

DRAWN BY DATE SCALE FACTOR

DRAWING #

VT-004-3h