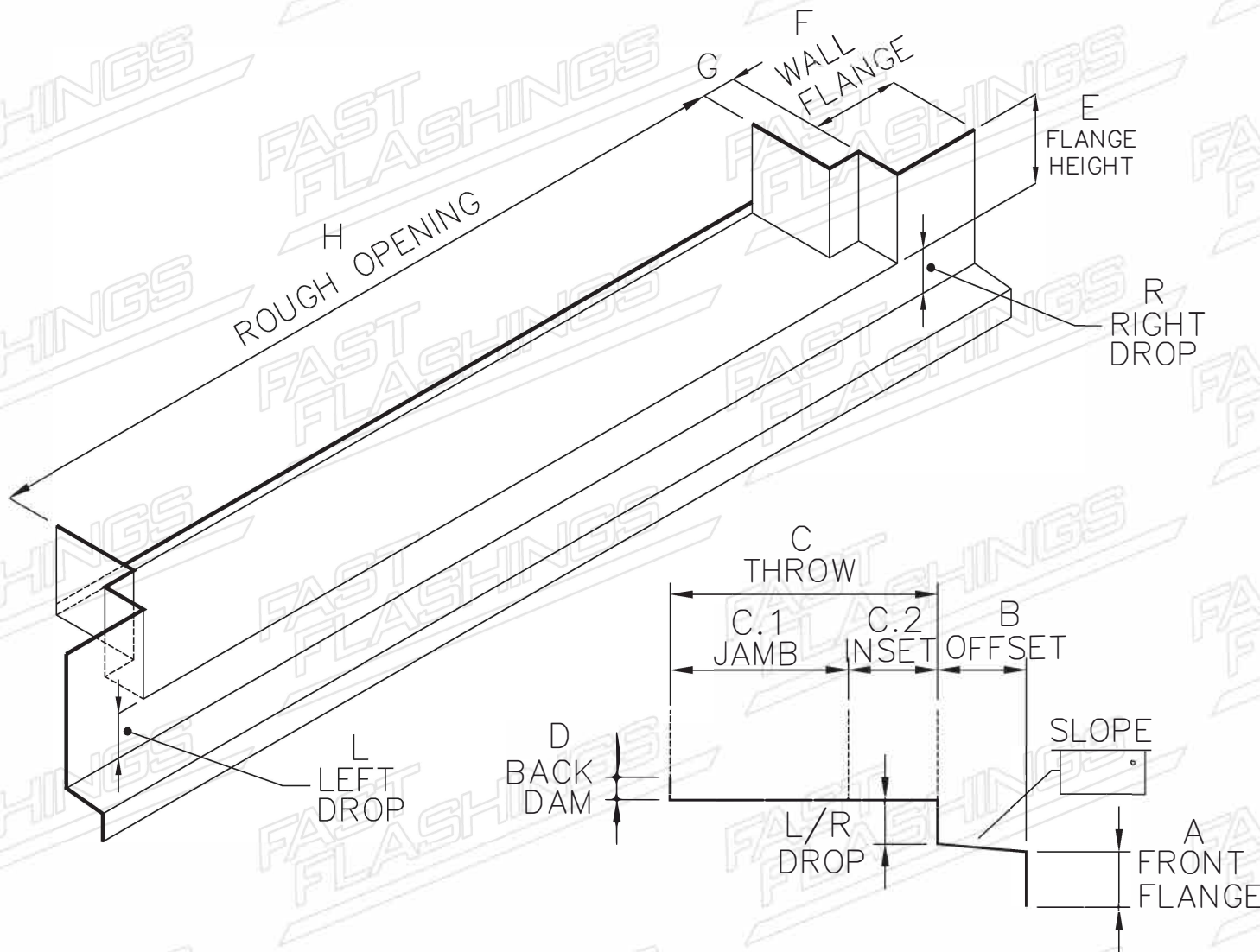


UNIT	A FRONT FLANGE	B OFFSET	C.1 JAMB	C.2 INSET	C THROW	D BACK DAM	E FLANGE HEIGHT	F WALL FLANGE	G JAMB DEPTH	H ROUGH OPENING	L LEFT DROP	R RIGHT DROP

CUSTOMER		
JOB		
ADDRESS		
CONTACT	PHONE	
COLOR		
STAINLESS #2 <input type="checkbox"/>	STAINLESS #4 <input type="checkbox"/>	
GALVANIZED <input type="checkbox"/>	PRE-PRIMED <input type="checkbox"/>	
COPPER 16 OZ. <input type="checkbox"/>	COPPER 20 OZ. <input type="checkbox"/>	
GAUGE 22 <input type="checkbox"/>	24 <input type="checkbox"/>	26 <input type="checkbox"/>
QUANTITY		



FAST FLASHINGS
www.fastflashings.com

Kirkland 425-827-8367 Seattle 206-364-3612

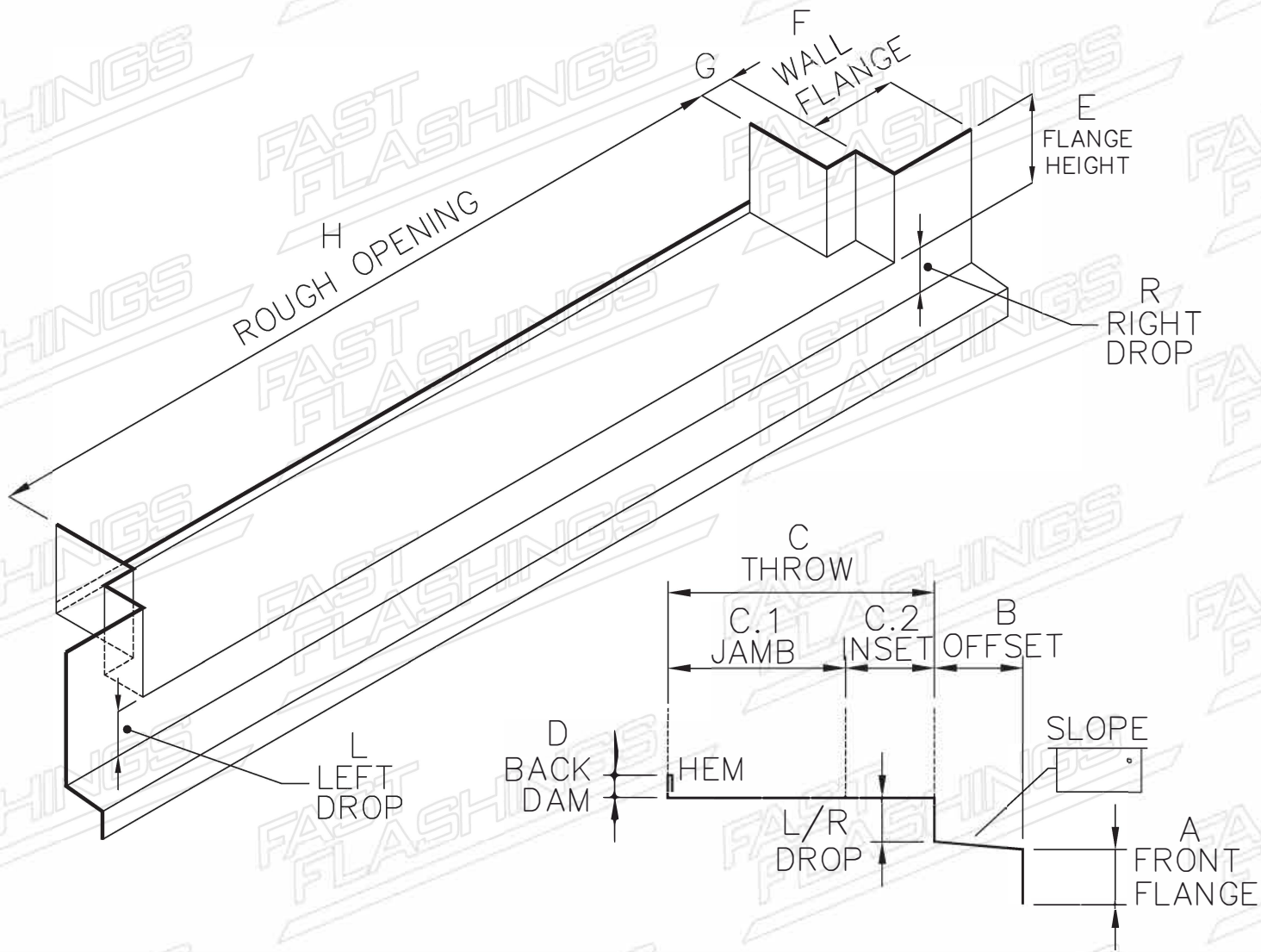
TYPE

DRAWN BY	DATE	SCALE FACTOR
----------	------	--------------

DRAWING #
PAN-004.1

UNIT	A FRONT FLANGE	B OFFSET	C.1 JAMB	C.2 INSET	C THROW	D BACK DAM	E FLANGE HEIGHT	F WALL FLANGE	G JAMB DEPTH	H ROUGH OPENING	L LEFT DROP	R RIGHT DROP

CUSTOMER		
JOB		
ADDRESS		
CONTACT	PHONE	
COLOR		
STAINLESS #2 <input type="checkbox"/>	STAINLESS #4 <input type="checkbox"/>	
GALVANIZED <input type="checkbox"/>	PRE-PRIMED <input type="checkbox"/>	
COPPER 16 OZ. <input type="checkbox"/>	COPPER 20 OZ. <input type="checkbox"/>	
GAUGE 22 <input type="checkbox"/>	24 <input type="checkbox"/>	26 <input type="checkbox"/>
QUANTITY		



FAST FLASHINGS
www.fastflashings.com

Kirkland 425-827-8367 Seattle 206-364-3612

TYPE

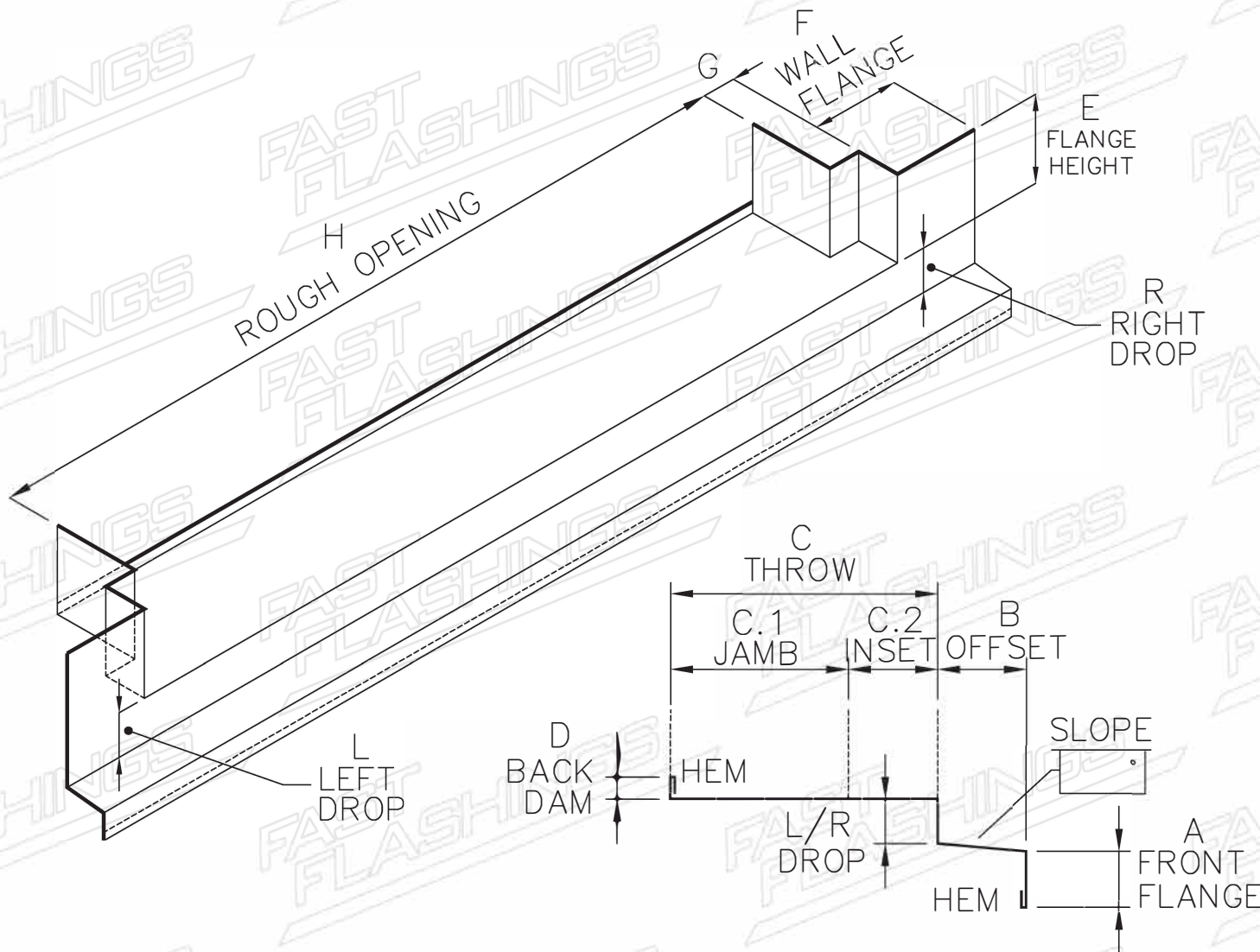
DRAWN BY	DATE	SCALE FACTOR
----------	------	--------------

DRAWING #

PAN-004.1-B

UNIT	A FRONT FLANGE	B OFFSET	C.1 JAMB	C.2 INSET	C THROW	D BACK DAM	E FLANGE HEIGHT	F WALL FLANGE	G JAMB DEPTH	H ROUGH OPENING	L LEFT DROP	R RIGHT DROP

CUSTOMER		
JOB		
ADDRESS		
CONTACT	PHONE	
COLOR		
STAINLESS #2 <input type="checkbox"/>	STAINLESS #4 <input type="checkbox"/>	
GALVANIZED <input type="checkbox"/>	PRE-PRIMED <input type="checkbox"/>	
COPPER 16 OZ. <input type="checkbox"/>	COPPER 20 OZ. <input type="checkbox"/>	
GAUGE 22 <input type="checkbox"/>	24 <input type="checkbox"/>	26 <input type="checkbox"/>
QUANTITY		



FAST FLASHINGS
www.fastflashings.com

Kirkland 425-827-8367 Seattle 206-364-3612

TYPE

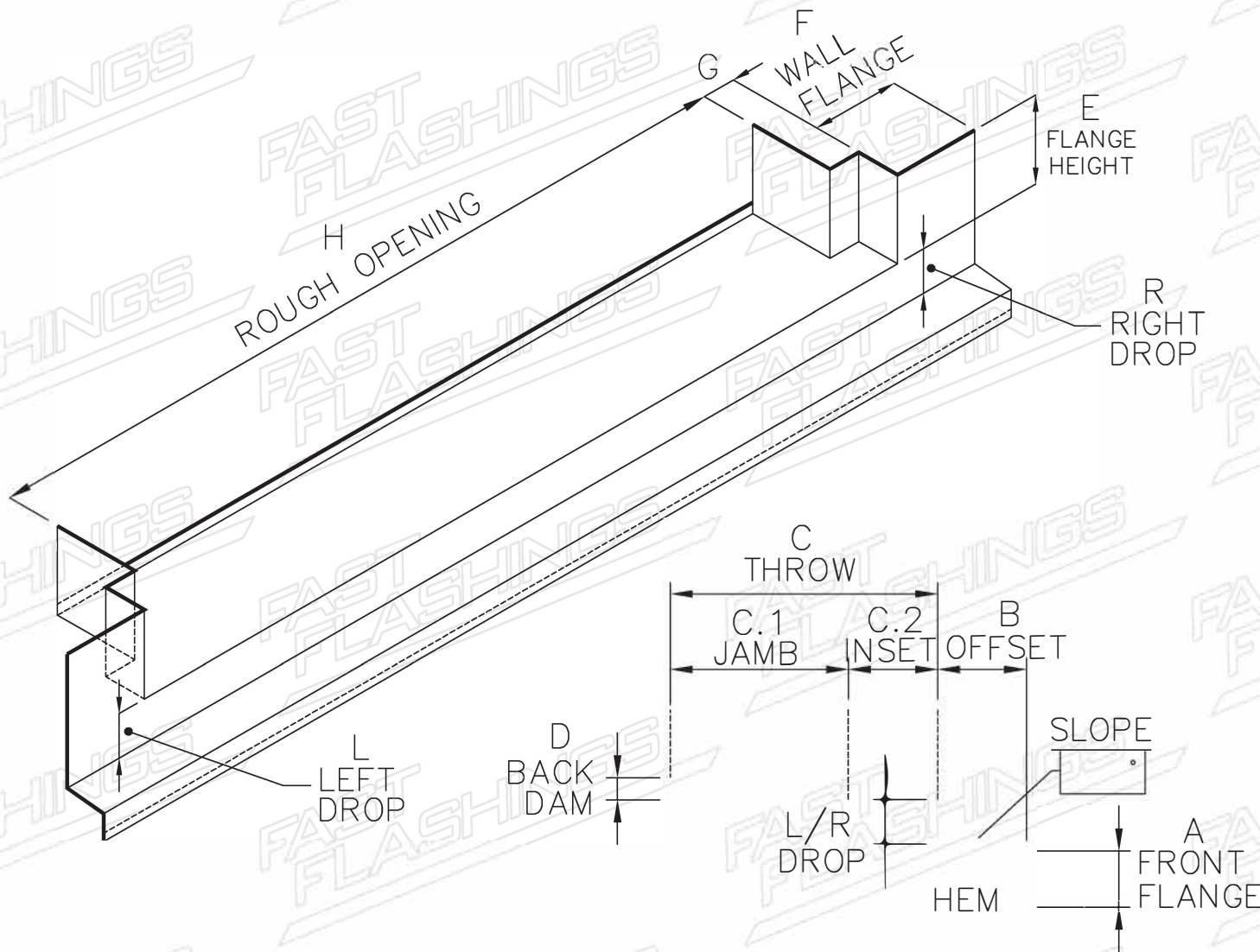
DRAWN BY	DATE	SCALE FACTOR
----------	------	--------------

DRAWING #

PAN-004.1-BF

UNIT	A FRONT FLANGE	B OFFSET	C.1 JAMB	C.2 INSET	C THROW	D BACK DAM	E FLANGE HEIGHT	F WALL FLANGE	G JAMB DEPTH	H ROUGH OPENING	L LEFT DROP	R RIGHT DROP

CUSTOMER		
JOB		
ADDRESS		
CONTACT	PHONE	
COLOR		
STAINLESS #2 <input type="checkbox"/>	STAINLESS #4 <input type="checkbox"/>	
GALVANIZED <input type="checkbox"/>	PRE-PRIMED <input type="checkbox"/>	
COPPER 16 OZ. <input type="checkbox"/>	COPPER 20 OZ. <input type="checkbox"/>	
GAUGE 22 <input type="checkbox"/>	24 <input type="checkbox"/>	26 <input type="checkbox"/>
QUANTITY		



FAST FLASHINGS
www.fastflashings.com

Kirkland 425-827-8367 Seattle 206-364-3612

TYPE

DRAWN BY	DATE	SCALE FACTOR
----------	------	--------------

DRAWING #

PAN-004.1-F