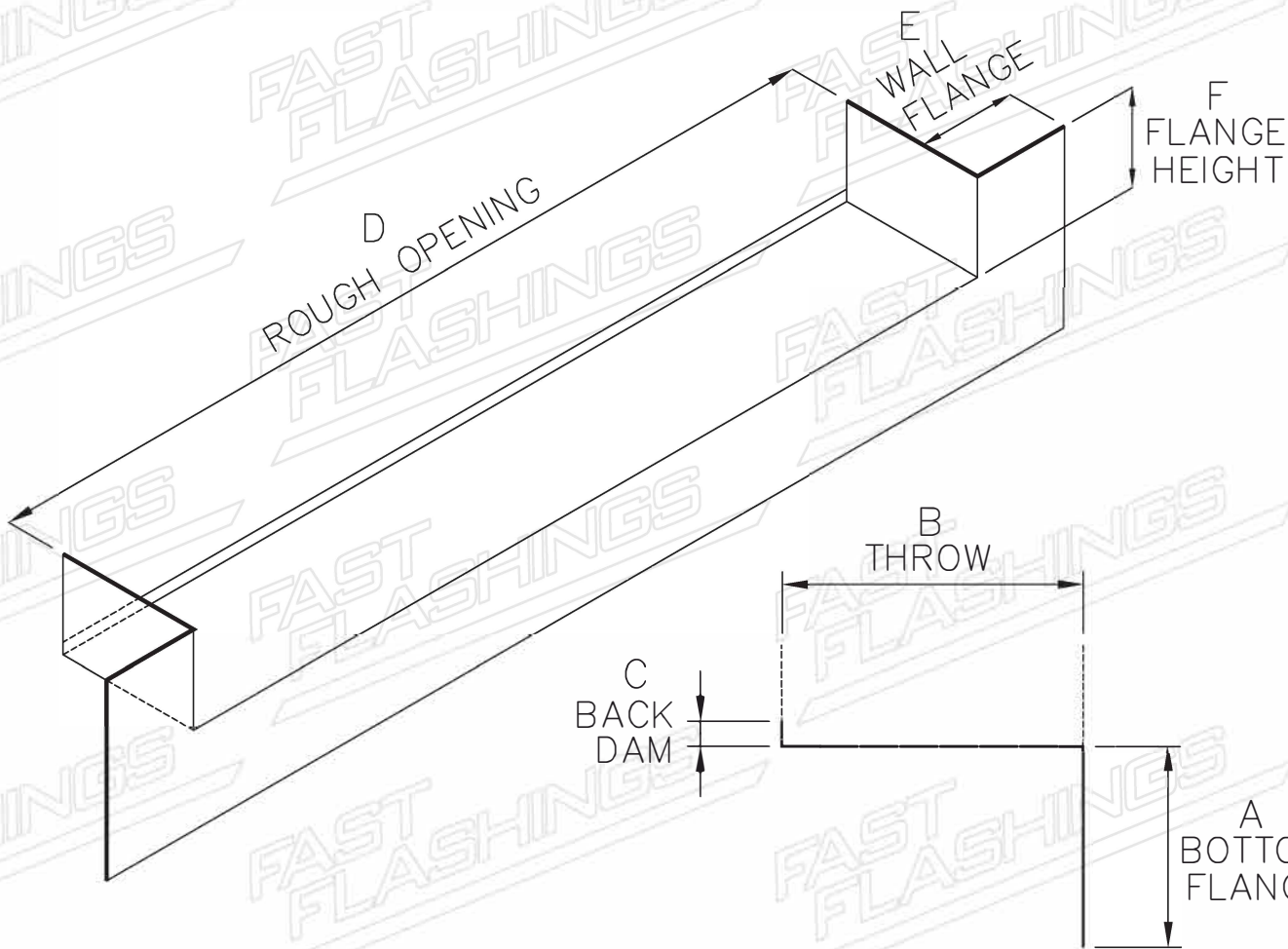


UNIT	A BOTTOM FLANGE	B THROW	C BACK DAM	D ROUGH OPENING	E WALL FLANGE	F FLANGE HEIGHT

CUSTOMER	
JOB	
ADDRESS	
CONTACT	PHONE
COLOR	
STAINLESS #2 <input type="checkbox"/>	STAINLESS #4 <input type="checkbox"/>
GALVANIZED <input type="checkbox"/>	PRE-PRIMED <input type="checkbox"/>
COPPER 16 OZ. <input type="checkbox"/>	COPPER 20 OZ. <input type="checkbox"/>
GAUGE 22 <input type="checkbox"/>	24 <input type="checkbox"/> 26 <input type="checkbox"/>
QUANTITY	



**FAST FLASHINGS**  
www.fastflashings.com

Kirkland 425-827-8367 Seattle 206-364-3612

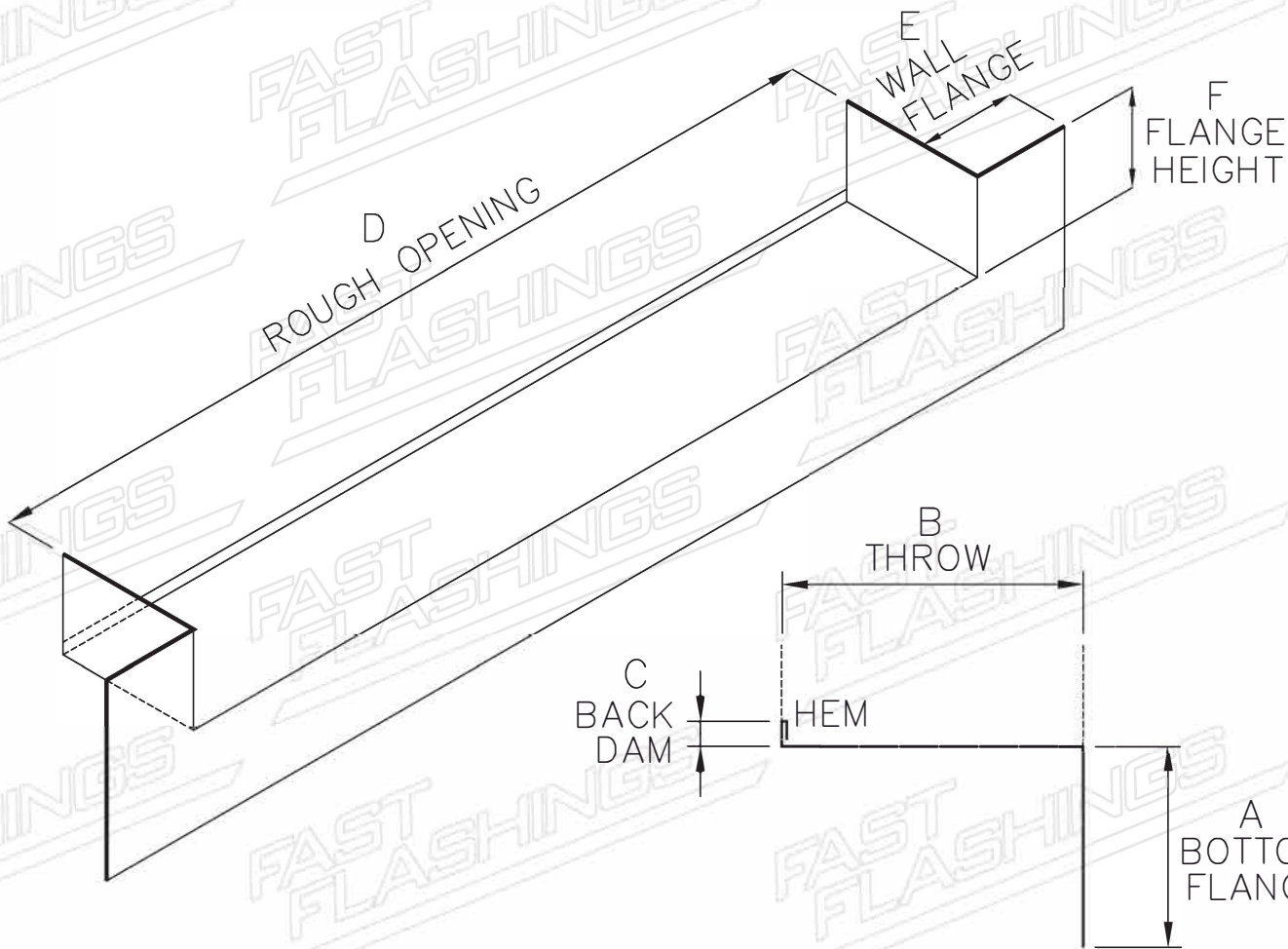
TYPE

DRAWN BY	DATE	SCALE FACTOR
----------	------	--------------

DRAWING #  
**PAN-002**

UNIT	A BOTTOM FLANGE	B THROW	C BACK DAM	D ROUGH OPENING	E WALL FLANGE	F FLANGE HEIGHT

CUSTOMER		
JOB		
ADDRESS		
CONTACT	PHONE	
COLOR		
STAINLESS #2 <input type="checkbox"/>	STAINLESS #4 <input type="checkbox"/>	
GALVANIZED <input type="checkbox"/>	PRE-PRIMED <input type="checkbox"/>	
COPPER 16 OZ. <input type="checkbox"/>	COPPER 20 OZ. <input type="checkbox"/>	
GAUGE 22 <input type="checkbox"/>	24 <input type="checkbox"/>	26 <input type="checkbox"/>
QUANTITY		



**FAST FLASHINGS**  
www.fastflashings.com

Kirkland 425-827-8367 Seattle 206-364-3612

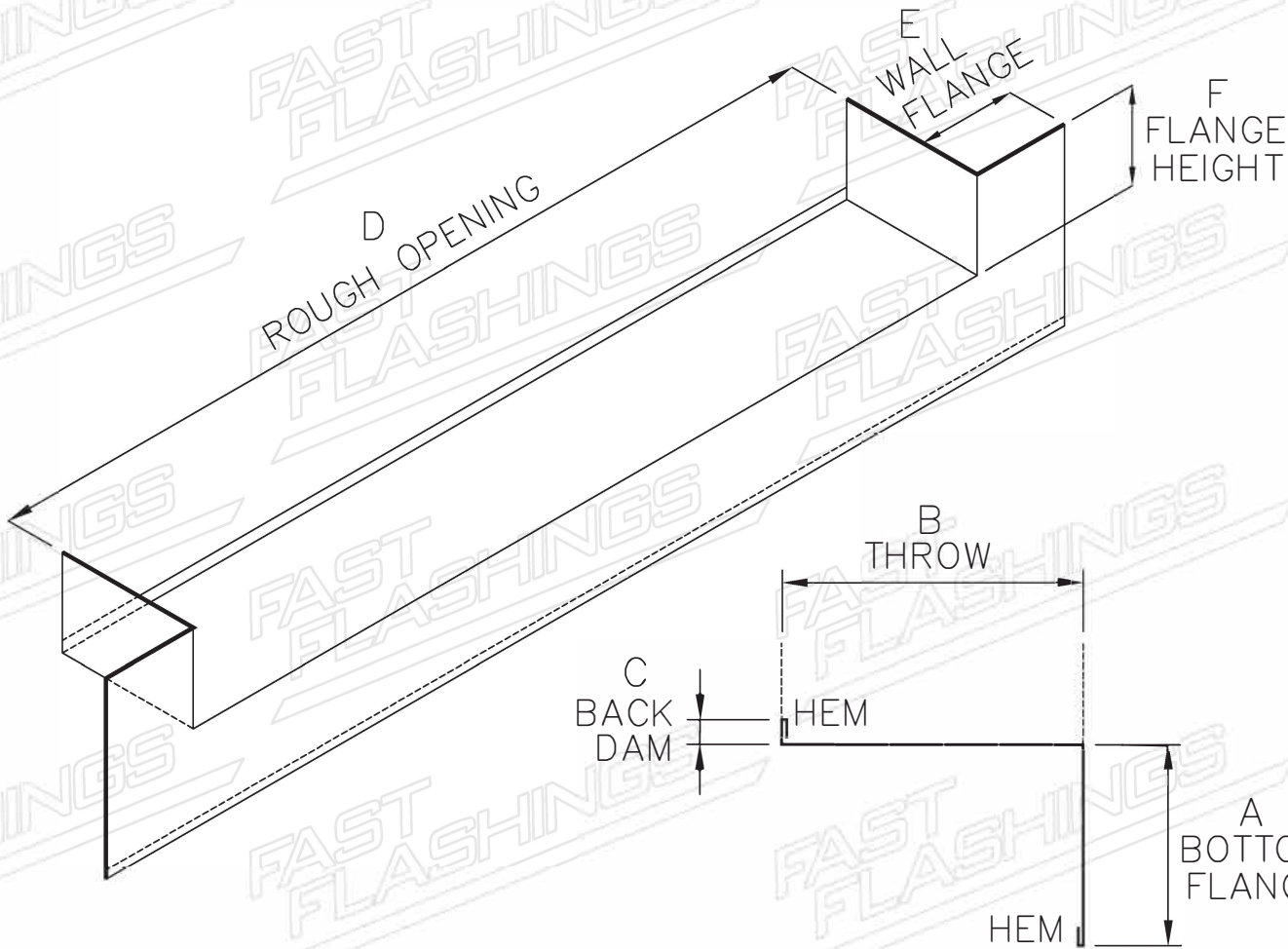
TYPE

DRAWN BY	DATE	SCALE FACTOR
----------	------	--------------

DRAWING #  
**PAN-002-B**

UNIT	A BOTTOM FLANGE	B THROW	C BACK DAM	D ROUGH OPENING	E WALL FLANGE	F FLANGE HEIGHT

CUSTOMER	
JOB	
ADDRESS	
CONTACT	PHONE
COLOR	
STAINLESS #2 <input type="checkbox"/>	STAINLESS #4 <input type="checkbox"/>
GALVANIZED <input type="checkbox"/>	PRE-PRIMED <input type="checkbox"/>
COPPER 16 OZ. <input type="checkbox"/>	COPPER 20 OZ. <input type="checkbox"/>
GAUGE 22 <input type="checkbox"/>	24 <input type="checkbox"/>
26 <input type="checkbox"/>	
QUANTITY	



**FAST FLASHINGS**  
www.fastflashings.com

Kirkland 425-827-8367 Seattle 206-364-3612

TYPE

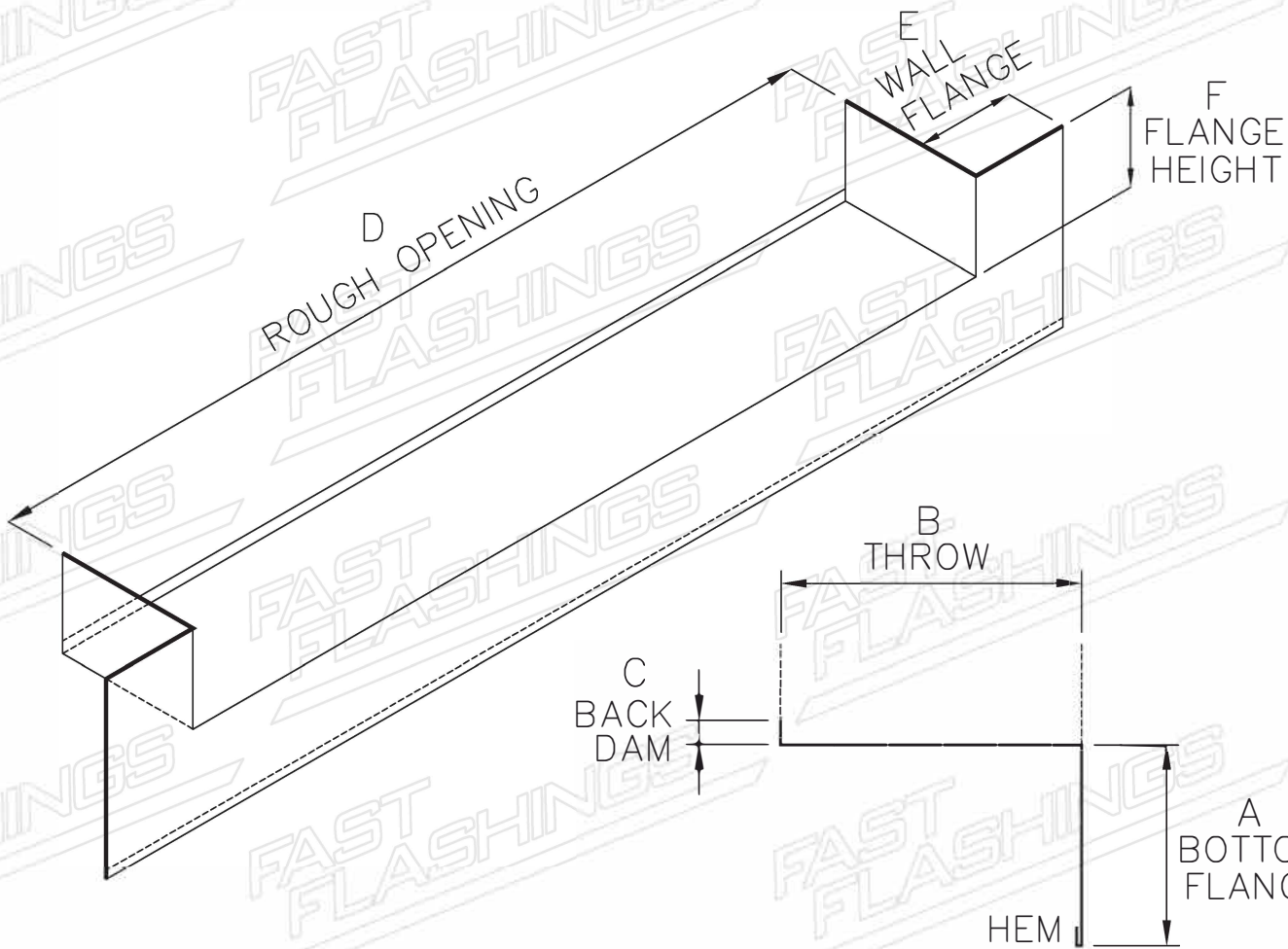
DRAWN BY	DATE	SCALE FACTOR
----------	------	--------------

DRAWING #

PAN-002-BF

UNIT	A BOTTOM FLANGE	B THROW	C BACK DAM	D ROUGH OPENING	E WALL FLANGE	F FLANGE HEIGHT

CUSTOMER	
JOB	
ADDRESS	
CONTACT	PHONE
COLOR	
STAINLESS #2 <input type="checkbox"/>	STAINLESS #4 <input type="checkbox"/>
GALVANIZED <input type="checkbox"/>	PRE-PRIMED <input type="checkbox"/>
COPPER 16 OZ. <input type="checkbox"/>	COPPER 20 OZ. <input type="checkbox"/>
GAUGE 22 <input type="checkbox"/>	24 <input type="checkbox"/> 26 <input type="checkbox"/>
QUANTITY	



<b>FAST FLASHINGS</b> www.fastflashings.com		
Kirkland 425-827-8367 Seattle 206-364-3612		
TYPE		
DRAWN BY	DATE	SCALE FACTOR
DRAWING #		
PAN-002-F		