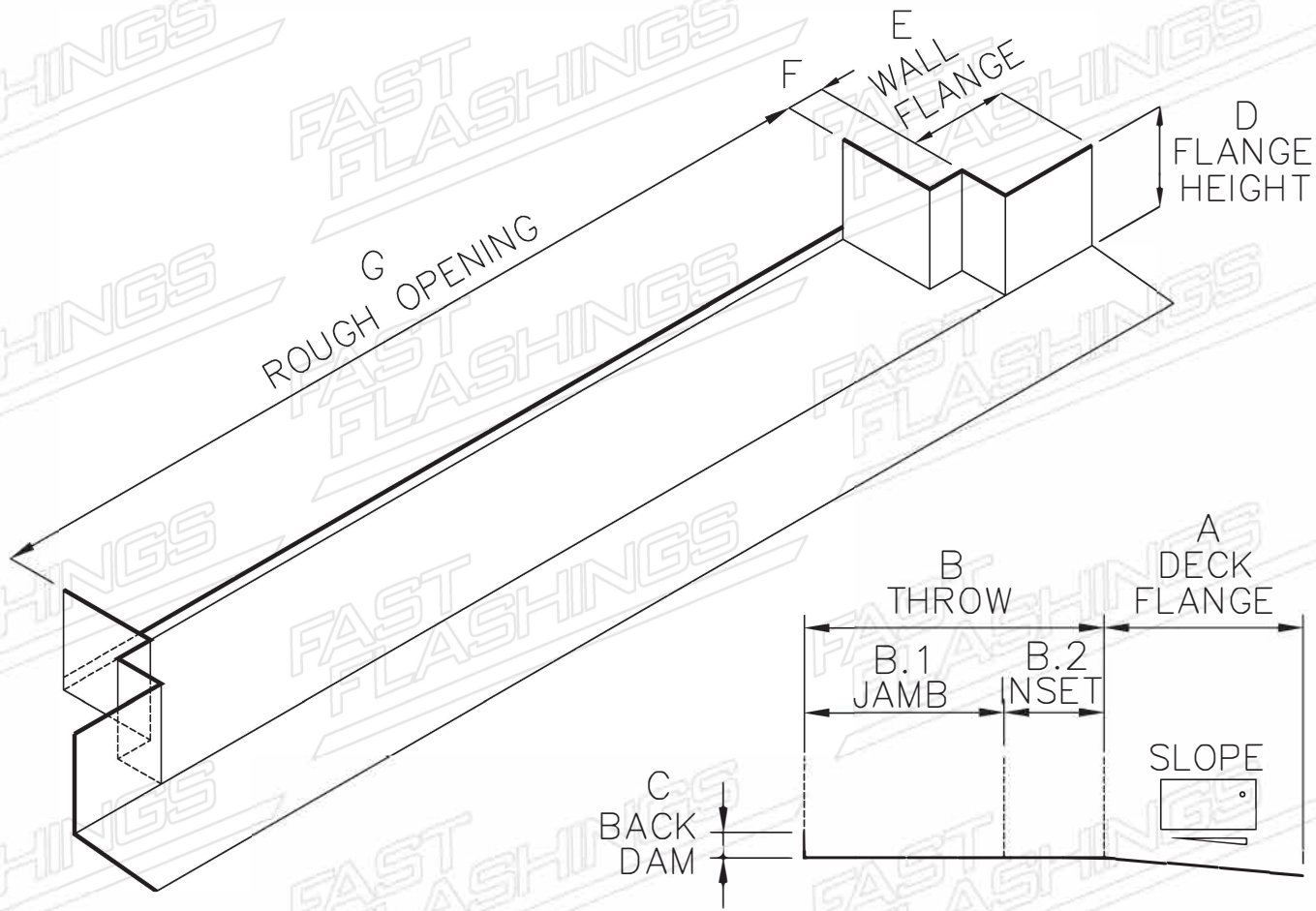


UNIT	A DECK FLANGE	B.1 JAMB	B.2 INSET	B THROW	C BACK DAM	D FLANGE HEIGHT	E WALL FLANGE	F JAMB DEPTH	G ROUGH OPENING

CUSTOMER		
JOB		
ADDRESS		
CONTACT	PHONE	
COLOR		
STAINLESS #2 <input type="checkbox"/>	STAINLESS #4 <input type="checkbox"/>	
GALVANIZED <input type="checkbox"/>	PRE-PRIMED <input type="checkbox"/>	
COPPER 16 OZ. <input type="checkbox"/>	COPPER 20 OZ. <input type="checkbox"/>	
GAUGE 22 <input type="checkbox"/>	24 <input type="checkbox"/>	26 <input type="checkbox"/>
QUANTITY		



**FAST FLASHINGS**  
www.fastflashings.com

Kirkland 425-827-8367 Seattle 206-364-3612

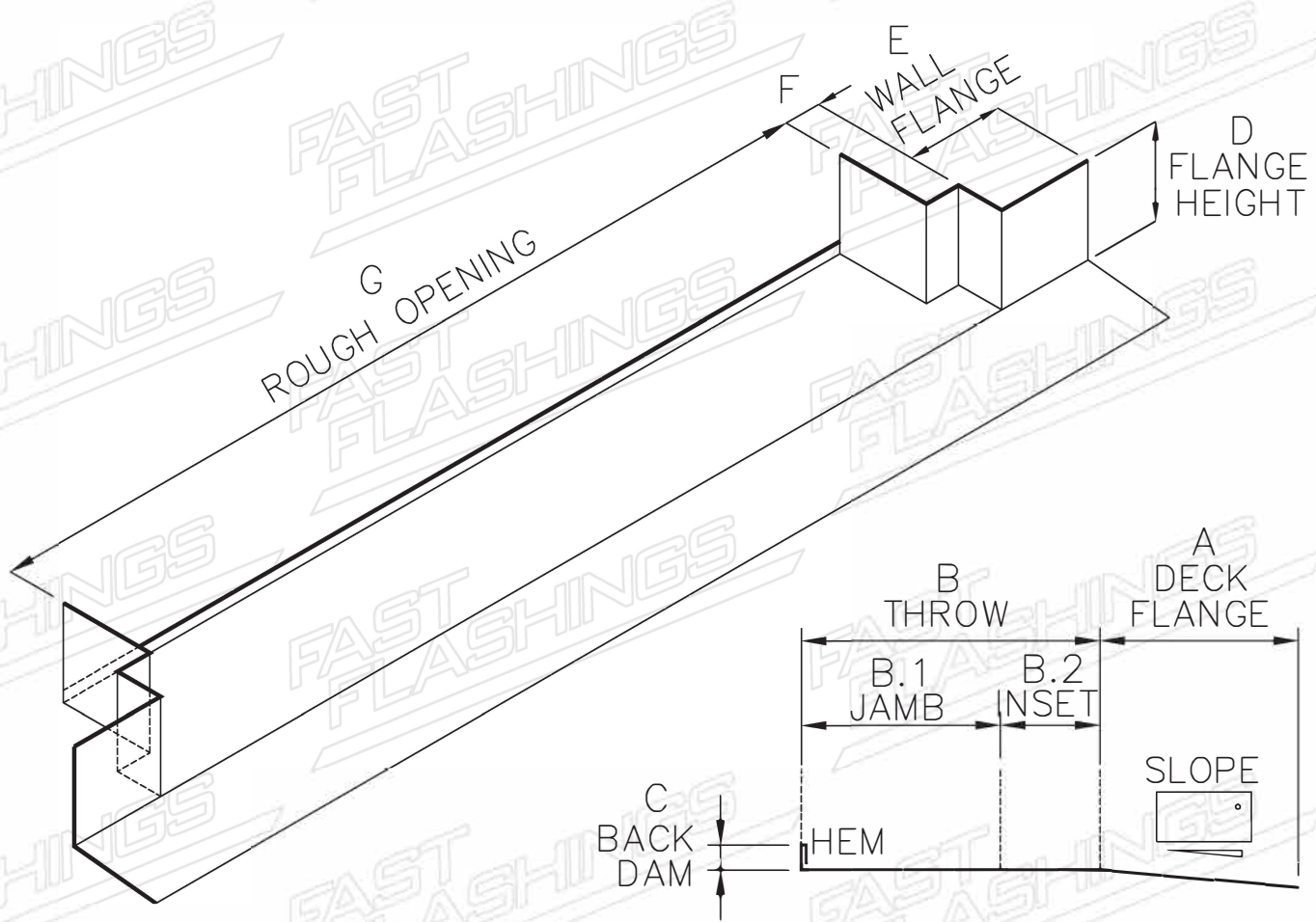
TYPE

DRAWN BY	DATE	SCALE FACTOR
----------	------	--------------

DRAWING #  
**PAN-001.1**

UNIT	A DECK FLANGE	B.1 JAMB	B.2 INSET	B THROW	C BACK DAM	D FLANGE HEIGHT	E WALL FLANGE	F JAMB DEPTH	G ROUGH OPENING

CUSTOMER		
JOB		
ADDRESS		
CONTACT	PHONE	
COLOR		
STAINLESS #2 <input type="checkbox"/>	STAINLESS #4 <input type="checkbox"/>	
GALVANIZED <input type="checkbox"/>	PRE-PRIMED <input type="checkbox"/>	
COPPER 16 OZ. <input type="checkbox"/>	COPPER 20 OZ. <input type="checkbox"/>	
GAUGE 22 <input type="checkbox"/>	24 <input type="checkbox"/>	26 <input type="checkbox"/>
QUANTITY		



**FAST FLASHINGS**  
www.fastflashings.com

Kirkland 425-827-8367 Seattle 206-364-3612

TYPE

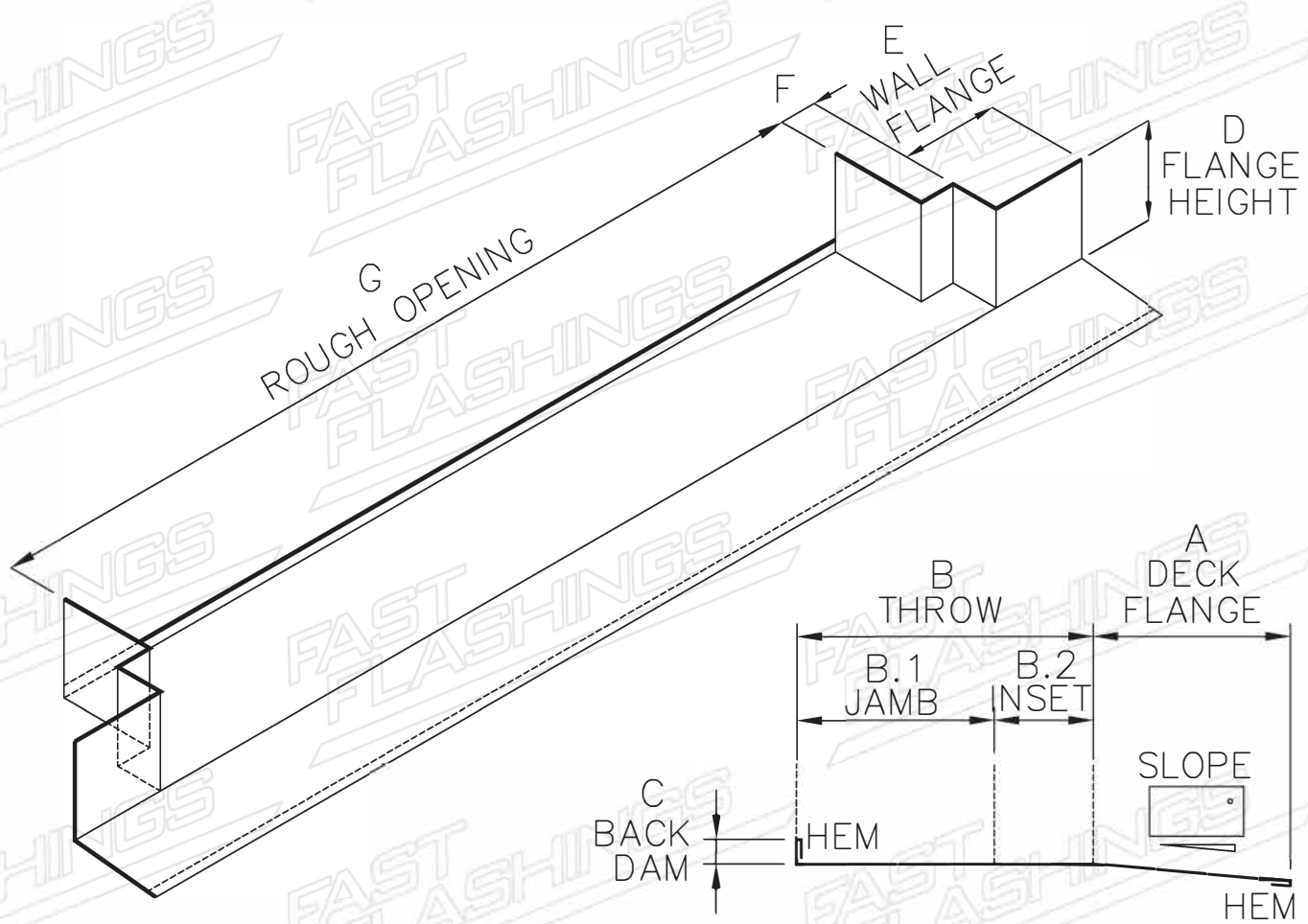
DRAWN BY	DATE	SCALE FACTOR
----------	------	--------------

DRAWING #

PAN-001.1-B

UNIT	A DECK FLANGE	B.1 JAMB	B.2 INSET	B THROW	C BACK DAM	D FLANGE HEIGHT	E WALL FLANGE	F JAMB DEPTH	G ROUGH OPENING

CUSTOMER		
JOB		
ADDRESS		
CONTACT	PHONE	
COLOR		
STAINLESS #2 <input type="checkbox"/>	STAINLESS #4 <input type="checkbox"/>	
GALVANIZED <input type="checkbox"/>	PRE-PRIMED <input type="checkbox"/>	
COPPER 16 OZ. <input type="checkbox"/>	COPPER 20 OZ. <input type="checkbox"/>	
GAUGE 22 <input type="checkbox"/>	24 <input type="checkbox"/>	26 <input type="checkbox"/>
QUANTITY		



**FAST FLASHINGS**  
www.fastflashings.com

Kirkland 425-827-8367 Seattle 206-364-3612

TYPE

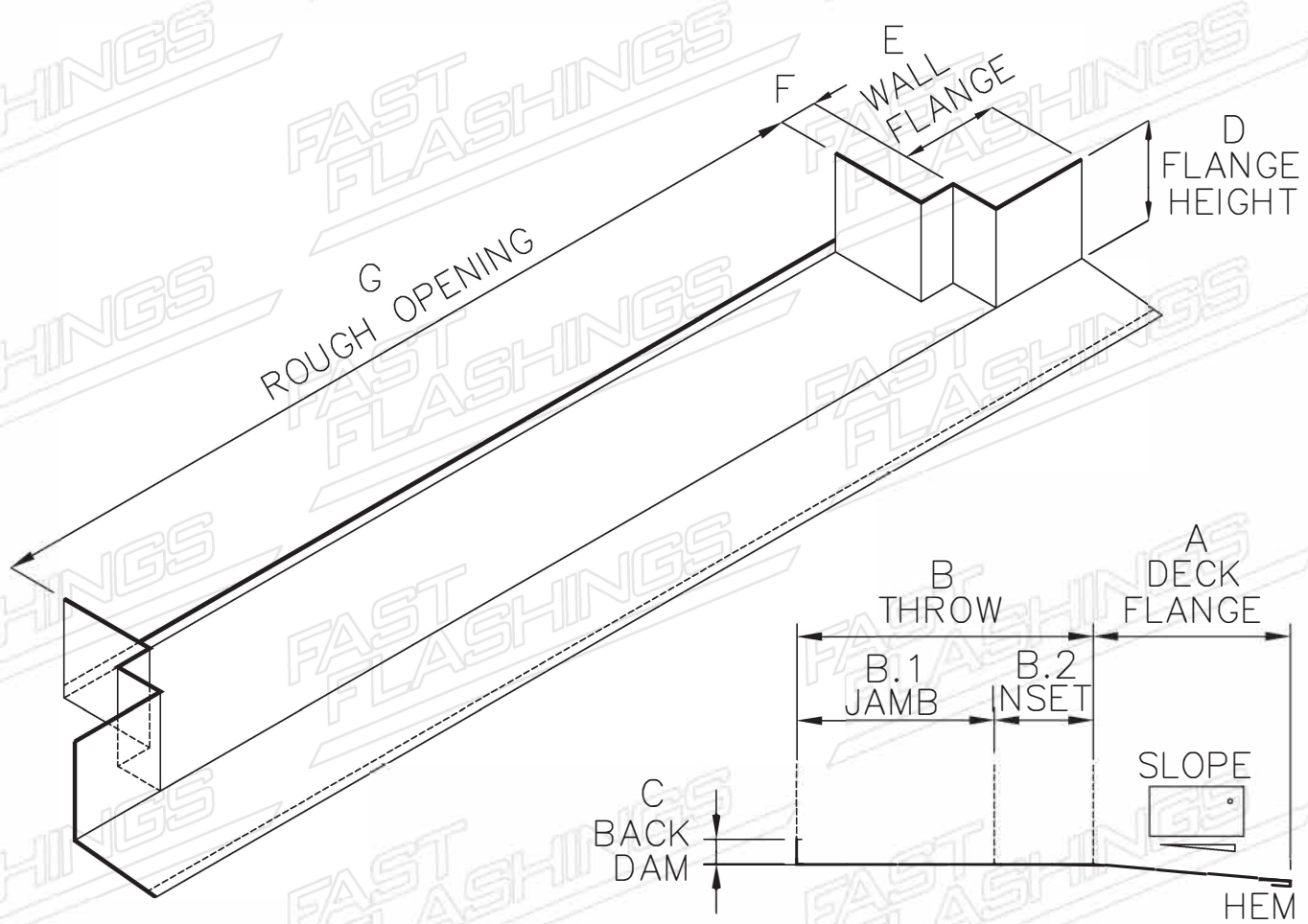
DRAWN BY	DATE	SCALE FACTOR
----------	------	--------------

DRAWING #

PAN-001.1-BF

UNIT	A DECK FLANGE	B.1 JAMB	B.2 INSET	B THROW	C BACK DAM	D FLANGE HEIGHT	E WALL FLANGE	F JAMB DEPTH	G ROUGH OPENING

CUSTOMER		
JOB		
ADDRESS		
CONTACT	PHONE	
COLOR		
STAINLESS #2 <input type="checkbox"/>	STAINLESS #4 <input type="checkbox"/>	
GALVANIZED <input type="checkbox"/>	PRE-PRIMED <input type="checkbox"/>	
COPPER 16 OZ. <input type="checkbox"/>	COPPER 20 OZ. <input type="checkbox"/>	
GAUGE 22 <input type="checkbox"/>	24 <input type="checkbox"/>	26 <input type="checkbox"/>
QUANTITY		



**FAST FLASHINGS**  
www.fastflashings.com

Kirkland 425-827-8367 Seattle 206-364-3612

TYPE

DRAWN BY	DATE	SCALE FACTOR
----------	------	--------------

DRAWING #

PAN-001.1-F